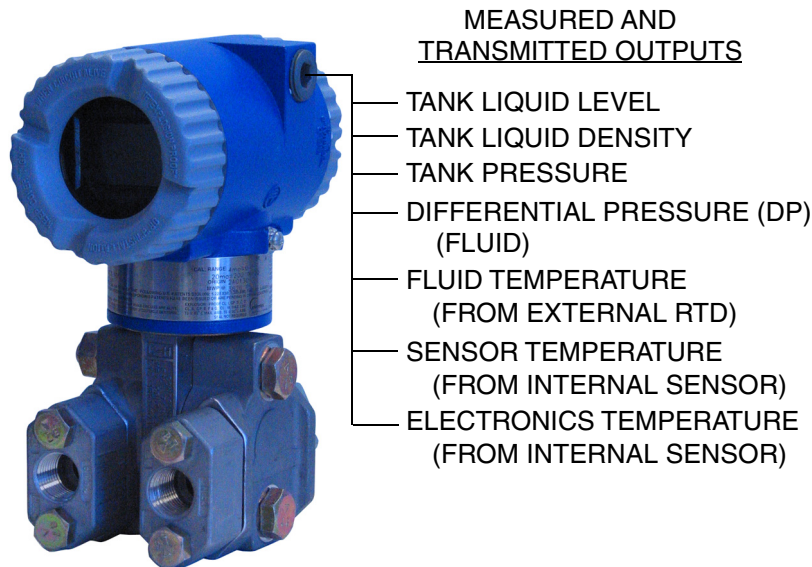


Model IMV31 I/A Series[®] Multivariable Transmitters Density-Compensated Level Transmitter with HART[®] Communication Protocol



The Foxboro[®] brand Model IMV31 Density Compensated Level Transmitter is an intelligent two-wire transmitter. It provides precise and reliable measurement of absolute and differential pressure, sensor and electronics temperature, and process or wet leg temperature. It transmits a 4 to 20 mA or digital output signal using HART Communication Protocol for remote configuration, calibration, and monitoring. When used for tank level measurement, it calculates level compensated for liquid density changes.

FEATURES AND BENEFITS

- ▶ One transmitter measures differential pressure, tank pressure, and fluid temperature. This enhances reliability due to fewer transmitters; and also reduces valve, wiring, and installation costs.
- ▶ Compensates for liquid density variations caused by both pressure and temperature changes. This provides accurate DP-based level measurement even when liquid density varies.
- ▶ Working pressures to 6.9 MPaa (1000 psia) for non boiler applications. Much higher working pressures for boiler applications are as listed in the Functional Specifications section.
- ▶ Suitable for open (vented) and closed tanks.
- ▶ On closed tanks, equations compensate for dry or wet leg applications. Density compensation also provided for both tank and wet leg liquid.
- ▶ Used with nearly any height tank or liquid density.
- ▶ Provides cost-effective density-compensated level measurement for numerous process fluids; excellent value for highly functional device.
- ▶ Unique selections for water/steam provided to facilitate boiler drum selection/configuration, where accuracy depends on compensating the measured DP for liquid/vapor density changes.
- ▶ Standard 5-year warranty.

- ▶ Complete configuration capability with Model PCMV configurator, which has a database with extensive fluid properties. Limited configuration with HART Communicator or optional LCD indicator with pushbuttons.
- ▶ Reduced process penetrations save money and reduce chances of fugitive emissions.
- ▶ Level values from transmitter eliminate need for other resources for level calculations.
- ▶ CE marked; complies with EMC, ATEX, and PED European Directives; and NAMUR NE 21 Interference Immunity requirement. Versions available to meet agency flameproof and zone requirements.
- ▶ Dual Seal certified by CSA to meet ANSI/ISA 12.27.01-2003 requirements.

I/A Series PRESSURE TRANSMITTER FAMILY

The IMV31 is part of a complete family of Foxboro gauge, absolute, d/p Cell[®], multirange, multivariable, and premium performance transmitters, as well as transmitters with remote or direct mount pressure seals. They all use field-proven silicon strain gauge sensors and common topworks.

EXCEPTIONALLY HIGH PERFORMANCE

- ▶ Level accuracy to $\pm 0.30\%$ of maximum level
- ▶ Tank pressure and DP accuracy to $\pm 0.05\%$ of Span
- ▶ Long term stability with drift less than $\pm 0.05\%$ URL per year over a 5-year period
- ▶ Minimized static pressure effect on DP by using pressure to compensate the DP measurement
- ▶ Excellent ambient temperature effect compensation due to characterization and microprocessor-based compensation
- ▶ Total Probable Error (TPE) significantly better than typical competitive transmitters

MULTIPLE MEASUREMENTS AND CALCULATIONS

- ▶ Tank Pressure
- ▶ Differential Pressure (DP)
- ▶ Fluid Temperature from external RTD
- ▶ Tank Liquid Level
- ▶ Tank Liquid Density
- ▶ Sensor Temperature
- ▶ Electronics Temperature

DIGITAL HART AND 4 TO 20 mA DC

4 to 20 mA with HART communications allows direct analog connection to common receivers while still providing full digital communications using a HART Communicator, PC-based configurator, or optional LCD indicator with on-board pushbuttons.

For complete configuration capability, Foxboro Model PCMV PC-based configurator is required. A HART Communicator, PC-based configurator, or optional LCD indicator with pushbuttons can be used for routine transmitter functions such as rezeroing or changing damping settings. See Figure 13 for more information on the LCD digital indicator (Option -L).

OPTIONAL CUSTOM FACTORY CONFIGURATION (OPTION -C2)

Changes can be made to the IMV31 using a HART Communicator, PC-based configurator, or optional local display. These configuration methods cannot configure the IMV31 for a specific application, but can only modify some parameter values after the initial configuration. Therefore, it is recommended that IMV31 transmitters be factory configured at time of shipment if the application information is known. To supply the necessary information to the factory, the Factory Configuration Option -C2 Configuration Wizard must be run and the results must be available to BuyAutomation. If Option -C2 is not selected in the Model Code, the user must then have Model PCMV configuration software to fully configure the IMV31 transmitter for a liquid level application. The Device Descriptions and Device Type Manager files available can modify some configuration parameters, but only the Model PCMV will calculate the necessary coefficients related to the process liquid and pass them to the transmitter.

TANK LEVEL MEASUREMENT AND THE IMV31

When using pressure or differential pressure transmitters to measure tank liquid level, determining the liquid density is important to accurately calculate the level for a given liquid head pressure.

With closed tanks that may have a pressure above the liquid that is different from atmospheric pressure, a dry leg, wet leg, or diaphragm seal system may be used to port the top-of-tank pressure to the opposite side of a differential pressure transmitter that is connected to the tank to measure level.

The density of the vapor above the liquid, and the densities of vapor or liquid in the external piping connecting the transmitter to the tank, will also influence the calculation of level from the measured differential pressure.

The IMV31 compensates for these density variations in order to calculate, display, and transmit an accurate liquid level measurement.

Liquid and vapor density calculations are based on the knowledge of the fluid properties, along with an on-line measurement of pressure and temperature.

The Model PCMV configurator has an extensive fluid properties database. For fluids not in the database, it also allows entry of known density values for specific fluid pressures and temperatures.

The IMV31 hardware and firmware can accommodate the following tank configurations to determine the appropriate densities, and to provide accurate tank level measurement. (Refer to Figures 2 and 4 for typical tank configurations.)

Figure 1. Open Tank (Vented) or Closed Tank with Dry Leg

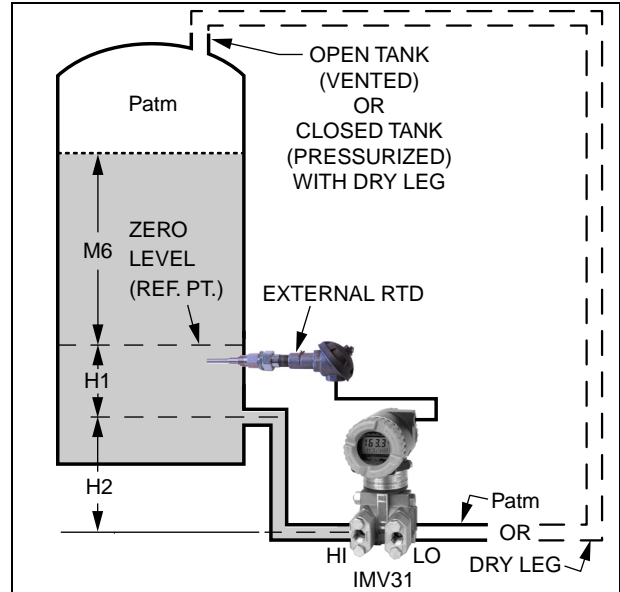
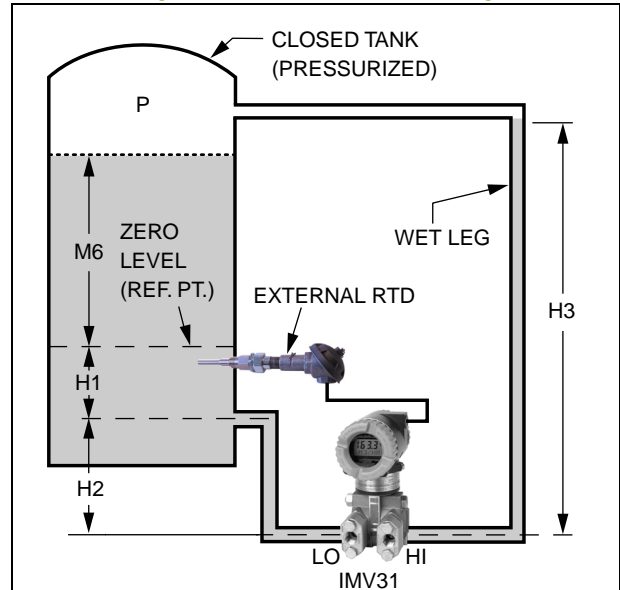


Figure 2. Closed Tank with Wet Leg



- ▶ Referring to Figures 2 and 4, the following heights are user-configurable:
 - H1 = Height from pressure tap to zero level point
 - H2 = Height from transmitter connection to pressure tap
 - H3 = Height from transmitter connection to top pressure connection.
- ▶ Tanks may be open (vented), or they may be closed (pressurized).
- ▶ Transmitter can be mounted at minimum level, or below minimum level. A level calibration feature provides tank level zeroing independent of transmitter elevation.
- ▶ If tank is closed, the leg exiting the top-of-tank to transmitter can be either dry or wet.
 - If it is a dry leg, then density of vapor in dry leg is calculated if configured for a pressure exceeding 20 psia; and used to correct level measurement for vapor density changes.
 - If it is a wet leg, density of liquid in wet leg is calculated and used to correct the liquid level measurement.
- ▶ If transmitter is mounted below minimum level, the leg to transmitter from the lower tank connection is assumed to have liquid in it, and its density calculated to correct the liquid level measurement.
- ▶ One external RTD can be used for tank or leg fluid temperature measurement.
- ▶ The temperature of the tank liquid and fluid (vapor or liquid) in both external legs going to each side of transmitter can be independently user-configured to be:
 - User-entered constants
 - RTD temperature (tank liquid or leg fluid)
 - Electronics temperature (from internal sensor)
 - Sensor temperature (from internal sensor)
 - Calculated saturation temperature (water)

The temperatures of the vapor above the tank liquid and the tank liquid, are assumed to be equal.

- ▶ For boiler drum level applications, the user does not have to enter fluid property data since the liquid and vapor are always water.

ANALOG OR DIGITAL TRANSMISSION

- ▶ The 4 to 20 mA analog output can be assigned to any one of the following variables:
 - Differential Pressure
 - Tank Pressure
 - Liquid Level
 - Tank Liquid Density⁽¹⁾

Also, these variables, along with process, sensor, and electronics temperature, can be read digitally using the Model PCMV configurator or HART Communicator.

- ▶ The digital output can be used for direct communication with an I/A Series System Fieldbus Module (FBM). With HART protocol, the above listed variables are digitally communicated to the system FBM along with the 4 to 20 mA current.

EASE OF INSTALLATION

- ▶ Rotatable Topworks
 - Allows installation in tight places
 - Positions indicator in preferred direction
 - Eases field retrofit
- ▶ Two conduit connections
 - Provide for easy wiring
 - Allow self-draining of condensation
- ▶ Wiring guides and terminations
 - Provide easy entry and plenty of space
 - Use large, rugged screw terminals for easy wire termination

PROCESS CONNECTORS

Removable, gasketed connectors allow a wide range of selections, including 1/4 NPT, 1/2 NPT, Rc 1/4, Rc 1/2, and weld neck connectors.

1. Density stated is at actual pressure and temperature, and based on known fluid parameters.

MODEL PCMV MULTIVARIABLE TRANSMITTER CONFIGURATOR

- ▶ Windows-based software package to configure and calibrate the IMV31 Transmitter for liquid level applications.
- ▶ Configurator provides for user configuration of tank parameters such as height values, units of measure, and fluid data.
- ▶ Determines a set of application-specific coefficients to be downloaded to transmitter for use in the transmitter's equations.
- ▶ A modem for use with HART protocol or an I/O module passthrough mechanism is required for communication with the transmitter.

Refer to PSS 2A-1Z3 F for specifications relating to the Model PCMV Multivariable Transmitter Configurator.

For typical configurator screens, refer to Figure 3 through Figure 5.

Figure 3. General Configuration Tab Screen

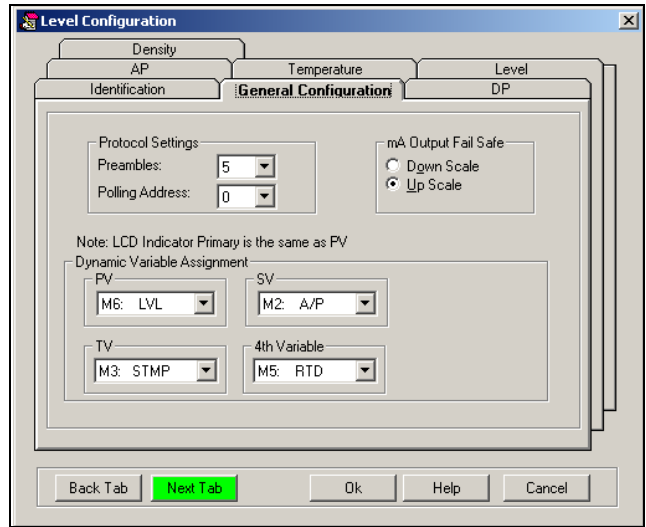


Figure 4. Sample Scan Data Screen

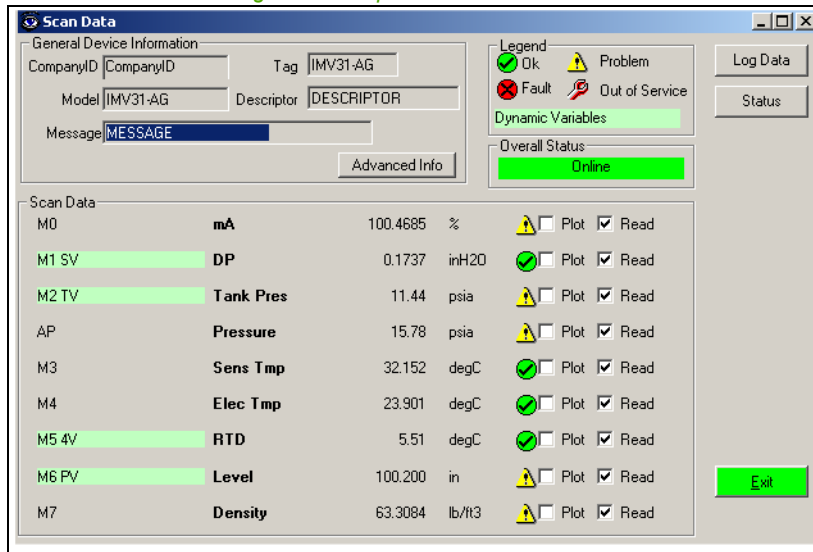
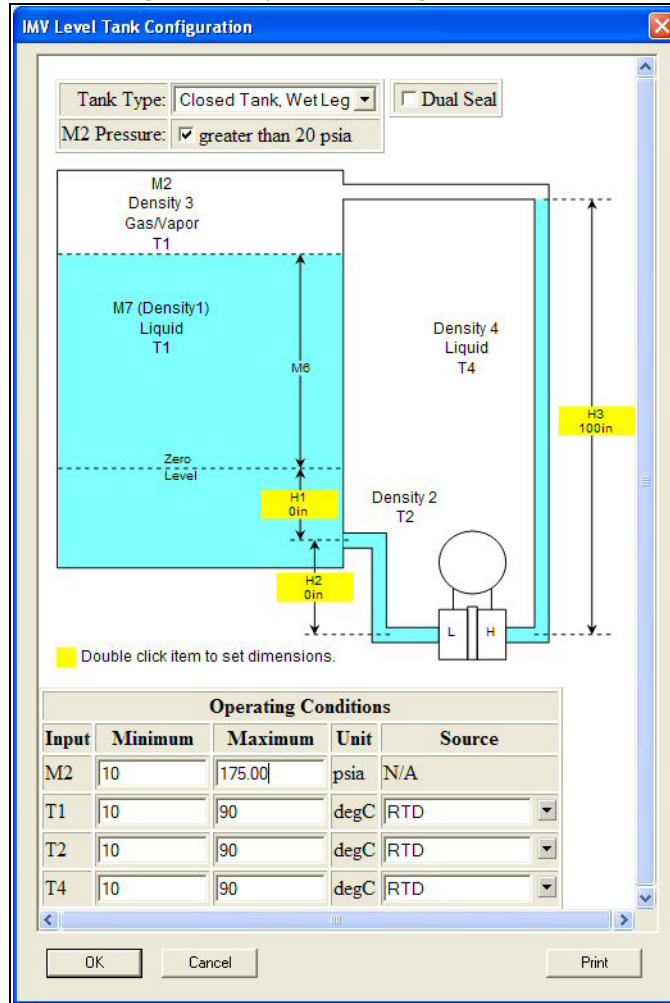


Figure 5. Sample Level Configurator Screen



UNIQUE PROCESS COVER AND CELL BODY DESIGN

Biplanar Construction (Figure 6) maintains the traditional horizontal process connections and vertical mounting by providing a cell body contained between two process covers, while still achieving light weight, small size, and high static pressure rating. This provides easy retrofit of any conventional differential pressure transmitter, and also is easily mounted in the horizontal position with vertical process connections, when required.

Process Covers (Figure 6) are fully supported by the cell body over their entire height. This prevents bending and results in a highly reliable seal.

Also, this provides dimensional stability to the process covers, ensuring that they will always mate properly with 3-valve bypass manifolds.

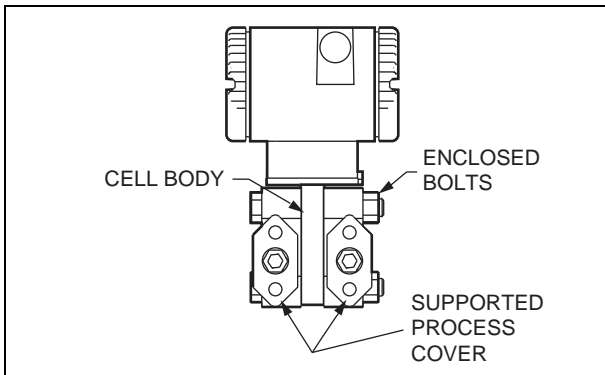
Process Cover Bolts (Figure 6) are enclosed to minimize corrosion and to minimize early elongation with rapid temperature increases. The design makes it less likely for the transmitter to release process liquid during a fire.

Process Cover Gaskets are ptfе as standard; ptfе provides nearly universal corrosion resistance, and eliminates the need to select and stock various elastomers to assure process compatibility.

ATEX Flameproof Design allows the transmitter to be installed in hazardous locations requiring ATEX Flameproof rating.

Light Weight provides ease of handling, installation, and direct mounting without requiring costly pipe stands.

Figure 6. Biplanar Construction



TRADITIONAL STRUCTURE

The traditional structure (Figure 7) utilizes the right angle design common to most differential pressure transmitters in use throughout the world. Process connections are oriented 90 degrees from the transmitter centerline.

This traditional structure makes it easy to retrofit any transmitters of similar design.

Figure 7. Vertical Mounting Showing Process Connections at 90 degrees

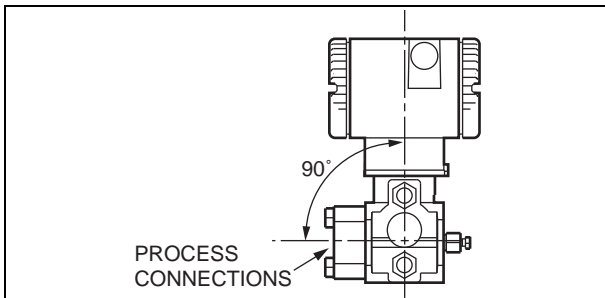
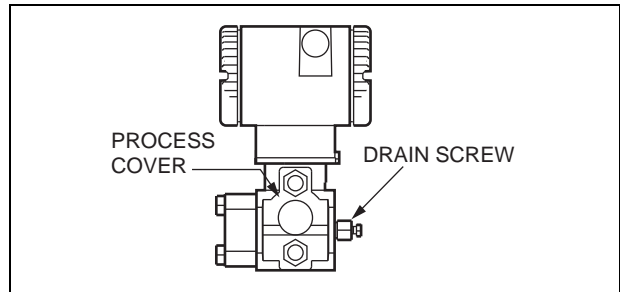


Figure 8. Vertical Mounting - Cavity Draining



Sensor cavity venting and draining is provided for both vertical and horizontal transmitter installation, using innovative tangential connections to the sensor cavity (Figures 8 and 9). Optional side vents are offered for sensor cavity venting in the upright position (Figure 10).

An extensive variety of process-wetted materials are available for the process covers on this highly versatile and widely used transmitter.

Figure 9. Horizontal Mounting - Cavity Venting and Self-Draining into Process Line

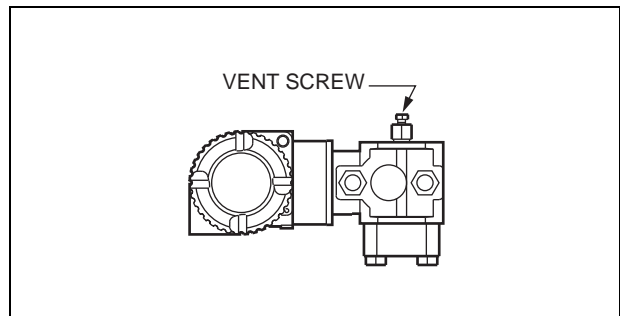
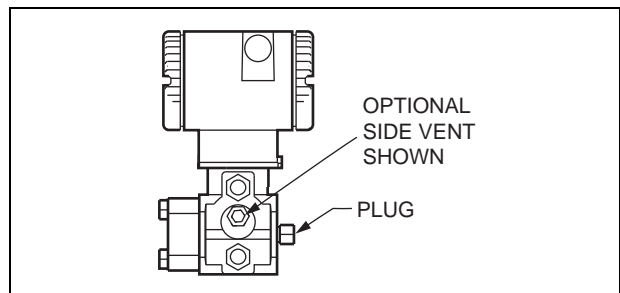


Figure 10. Vertical Mounting - Cavity Venting and Self-Draining into Process Line



FUNCTIONAL SPECIFICATIONS

Span and Range Limits for Differential Pressure Measurement (a)

DP Span Codes (b)	Span Limits					
	kPa	inH ₂ O	mbar	kPa	inH ₂ O	mbar
A	0.75 and 7.5	3 and 30	7.5 and 75	-7.5 and +7.5	-30 and +30	-75 and +75
B	0.5 and 50	2 and 200	5 and 500	-50 and +50	-200 and +200	-500 and +500
C	2.5 and 210	10 and 840	25 and 2100	-210 and +210	-840 and +840	-2100 and +2100

- a. Positive Values indicate HI side of sensor at the high pressure, and negative values indicate LO side of sensor at the high pressure.
- b. See table below for available combinations of DP and AP Span Limit Codes.

Span and Range Limits for Absolute Pressure Measurement (a)

AP Span Codes (b)	Span Limits			Range Limits		
	MPa	psi	bar or kg/cm ²	MPaa	psia	bara or kg/cm ² abs
D	0.02 and 2.1	3 and 300	0.21 and 21	0 and 2.1	0 and 300	0 and 21
G	0.07 and 3.4	10 and 500	0.7 and 34	0 and 3.4	0 and 500	0 and 34
E	0.21 and 10 (c)	30 and 1500 (c)	2.1 and 100 (c)	0 and 10 (c)	0 and 1500 (c)	0 and 100 (c)
H	0.42 and 20 (c)	60 and 3000 (c)	4.2 and 200 (c)	0 and 20 (c)	0 and 3000 (c)	0 and 200 (c)

- a. Absolute Pressure measured directly; Gauge Pressure calculated from user-entered barometric pressure constant.
- b. See table below for available combinations of DP and AP Span Limit Codes.
- c. For non boiler applications, pressure is not to exceed 6.9 MPaa (1000 psia) (69 bara).

Available Combinations of DP and AP Span Codes

With Upper Range Limits (URLs), Maximum Static and Maximum Working Pressure (MWP), and Maximum Overrange Pressure

Span Code DP and AP	Sensor URL (DP and AP)				Maximum Static and Maximum Working Pressure		Maximum Overrange Pressure	
	DP	AP	DP	AP	MPaa	psia	MPaa	psia
A and G	30 inH ₂ O	500 psia	7.5 kPa	3.4 MPaa	3.4	500	5	750
B and D	200 inH ₂ O	300 psia	50 kPa	2.1 MPaa	2.1	300	3.1	450
B and E	200 inH ₂ O	1500 psia (a)	50 kPa	10 MPaa (a)	10 (a)	1500 (a)	15 (b)	2250 (b)
B and H	200 inH ₂ O	3000 psia (a)	50 kPa	20 MPaa (a)	20 (a)	3000 (a)	30 (b)	4500 (b)
C and D	840 inH ₂ O	300 psia	210 kPa	2.1 MPaa	2.1	300	3.1	450
C and E	840 inH ₂ O	1500 psia (a)	210 kPa	10 MPaa (a)	10 (a)	1500 (a)	15 (b)	2250 (b)
C and H	840 inH ₂ O	3000 psia (a)	210 kPa	20 MPaa (a)	20 (a)	3000 (a)	30 (b)	4500 (b)

- a. For non boiler applications, maximum working pressure is not to exceed 6.9 MPaa (1000 psia).
- b. For non boiler applications, maximum overrange pressure is not to exceed 10.3 MPaa (1500 psia).

Impact of Certain Options on Maximum Static Pressure and Span and Range Limits (a) (b)

Option	Description (Also see Model Code)	Span and Range Limits Derated to:
-B3	B7M Bolts and Nuts (NACE)	20 MPaa (2900 psia, 200 bara or kg/cm ² abs)
-D1	DIN Construction	16 MPaa (2320 psia, 160 bara or kg/cm ² abs)
-D5 or -B1	DIN Construction or 316 ss Bolting	15 MPaa (2175 psia, 150 bara or kg/cm ² abs)
-D2, -D4, -D6, or -D8	DIN Construction	10 MPaa (1500 psia, 100 bara or kg/cm ² abs)

- a. Refer to Model Code section for application and restrictions related to the items listed in the table.
- b. There is no impact (derating) when Options -B2, -D3, or -D7 are selected. The ratings for these options are the standard rating of 25 MPaa (3625 psia, 250 bara, or kg/cm² abs).

Output Signal and Configuration

One 4 to 20 mA output with HART Communications. This 4 to 20 mA output applicable to level (or other) measurements. When configured for multidrop applications, the mA signal is fixed at 4 mA to provide power to the device. Configurable with a HART Communicator, Model PCMV Configurator, or optional LCD indicator with on-board pushbuttons. Model PCMV Configurator required for complete level configuration.

Tank Outputs

- ▶ Tank Pressure
- ▶ Differential Pressure
- ▶ Sensor Temperature (from Internal Sensor)
- ▶ Electronics Temperature (from Internal Sensor)
- ▶ Fluid Temperature (from External RTD)
- ▶ Tank Liquid Level
- ▶ Tank Liquid Density

Level Units

- ▶ Inches
- ▶ Feet
- ▶ Millimeters
- ▶ Centimeters
- ▶ Meters

Adjustable Damping (DP and Pressure)

The transmitter response time is normally 1.0 s, or the electronically adjustable setting of 0.00 (none), 0.25, 0.50, 1, 2, 4, 8, 16, or 32 seconds, whichever is greater, for a 90% recovery from an 80% input step as defined in ANSI/ISA S51.1.

Field Wiring Reversal

No transmitter damage.

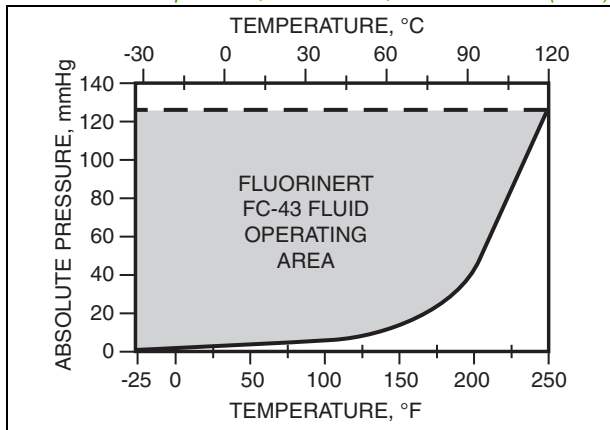
Minimum Allowable Absolute Pressure vs. Transmitter Temperature

WITH SILICONE FILL FLUID

Full vacuum: up to 121 °C (250 °F)

WITH INERT FILL FLUID

Figure 11. Minimum Allowable Absolute Pressure vs. Transmitter Temperature, Inert FC-43, 2.6 cs at 25°C (77°F)



Zero and Span Adjustments

Zero and span adjustments can be initiated from the PCMV Configurator or optional LCD indicator with on-board pushbuttons. Zero and span adjustments are provided for level, differential pressure, and pressure. Zero adjustment is provided for temperature measurements.

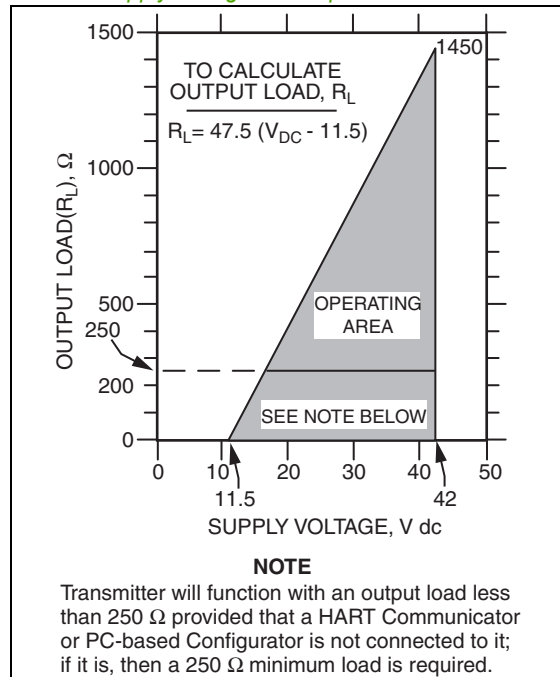
Zeroing for Nonzero-Based Ranges

Dual Function Zeroing from the optional LCD indicator pushbuttons allows differential pressure zeroing with either zero differential or LRV differential applied. This simplifies position effect zeroing. Also, the PCMV or HART Communicator provides zeroing at any user-entered value.

Supply Voltage

Nominal minimum supply voltage is 11.5 V dc. See Figure 12.

Figure 12. 4 to 20 mA Output, Supply Voltage vs. Output Load.



Write Protect Jumper

Can be positioned to lock out all configurators from making transmitter database changes. This makes transmitter suitable for safety shutdown system applications that require this feature.

Process Temperature Measurement and Limits

- ▶ Measurement: DIN/IEC, 2-, 3-, or 4-wire, 100 ohm, Platinum RTD
- ▶ Range Limits: -200 and 850°C (-328 and 1562°F)

Current Outputs for Overrange, Fail, and Offline Conditions

Parameter	Value
OFFLINE	User configurable between 4 and 20 mA
SENSOR FAILURE	User configurable to Fail LO or Fail HI
FAIL LO	3.60 mA
UNDERRANGE	3.80 mA
OVERRANGE	20.50 mA
FAIL HI	21.00 mA

Communications

Configurable for either 4 to 20 mA or multidrop. Digital communications is provided in all modes based upon the FSK (Frequency Shift Keying) technique which alternately superimposes one of two different frequencies on the uninterrupted current carried by the two signal/power wires. See Table 1 for HART communication parameters.

Table 1. HART Communications Parameters

Parameter	Analog Mode 4 to 20 mA	Multidrop Mode Fixed Current (a)
Configurator	HART Communicator (b), or Model PCMV Configurator	
Communication Rate	1200 baud	1200 baud
Communication Distance (Rated)	3050 m (10 000 ft)	1525 m (5000 ft)

- a. Multidrop mode supports communication with up to 15 transmitters on a single pair of signal/power wires.
- b. Model PCMV Multivariable Transmitter Configurator required for liquid level configuration.

Configuration and Calibration Data, and Electronics Upgradeability

All factory characterization data, and user configuration and calibration data, are stored in the sensor. This means that the electronics module can be replaced without requiring transmitter reconfiguration or recalibration.

Although module replacement can affect accuracy up to 0.20% of span, this error can be removed by an mA trim without application of pressure.

Configuration Capability

Variable	Measurement
Primary Variable	Differential Pressure (DP)
Secondary Variable	Absolute Pressure (AP)
Tertiary Variable	Process Temperature

NOTE

Numerous parameters can be configured and/or displayed, such as electronic damping, failsafe direction, transmitter calibration, tag data, etc. See applicable configuration documents for details.

Available Units for Calibrated Range

Pressure					Temp.
inH ₂ O	mH ₂ O	Pa	mbar	psi	C
ftH ₂ O	inHg	kPa	bar	atm	F
mmH ₂ O	mmHg	MPa	g/cm ²		R
cmH ₂ O	cmHg	torr	kg/cm ²		K

Option -C2: Optional Custom Factory Configuration

It is recommended that the IMV31 be factory configured by selecting Option -C2, and completing the Multivariable Configuration Wizard before entering the order. If Option -C2 is not selected, a standard default configuration will be provided. The user will then need to completely configure the transmitter for liquid level applications using the Model PCMV.

Option -L1: Optional Liquid Crystal Display (LCD) Indicator with On-Board Pushbuttons (Figure 13)

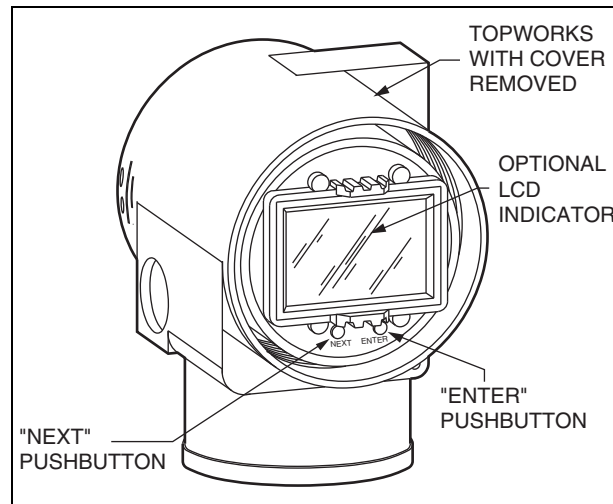
Indicator provides:

- ▶ Two Lines; five numeric characters on top line (four when a minus sign is needed) and seven alphanumeric characters on bottom line.
- ▶ Measurement Readout; value displayed on top line, and units label displayed on bottom line.
- ▶ Configuration and Calibration Prompts.

Pushbuttons provide for:

- ▶ Configuration⁽²⁾ Functions
- ▶ Calibration Functions

Figure 13. LCD Indicator with On-Board Pushbuttons



2. Model PCMV Multivariable Transmitter Configurator required for complete liquid level configuration.

Communications Functional Block Diagrams - Figure 14 through Figure 16

Figure 14. HART 4 to 20 mA Topology

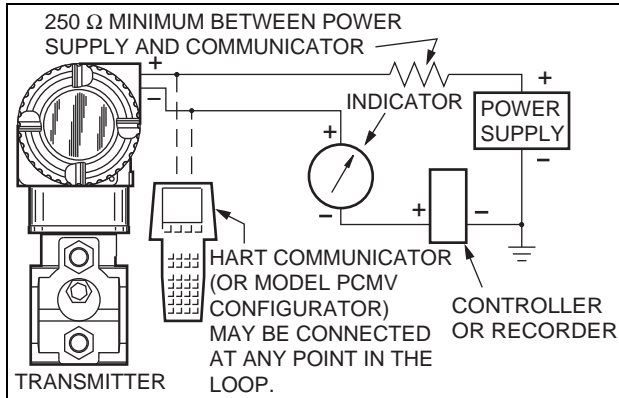


Figure 15. HART Multidrop Topology

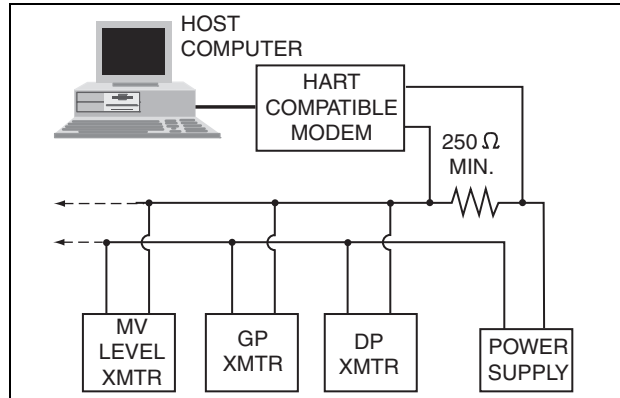
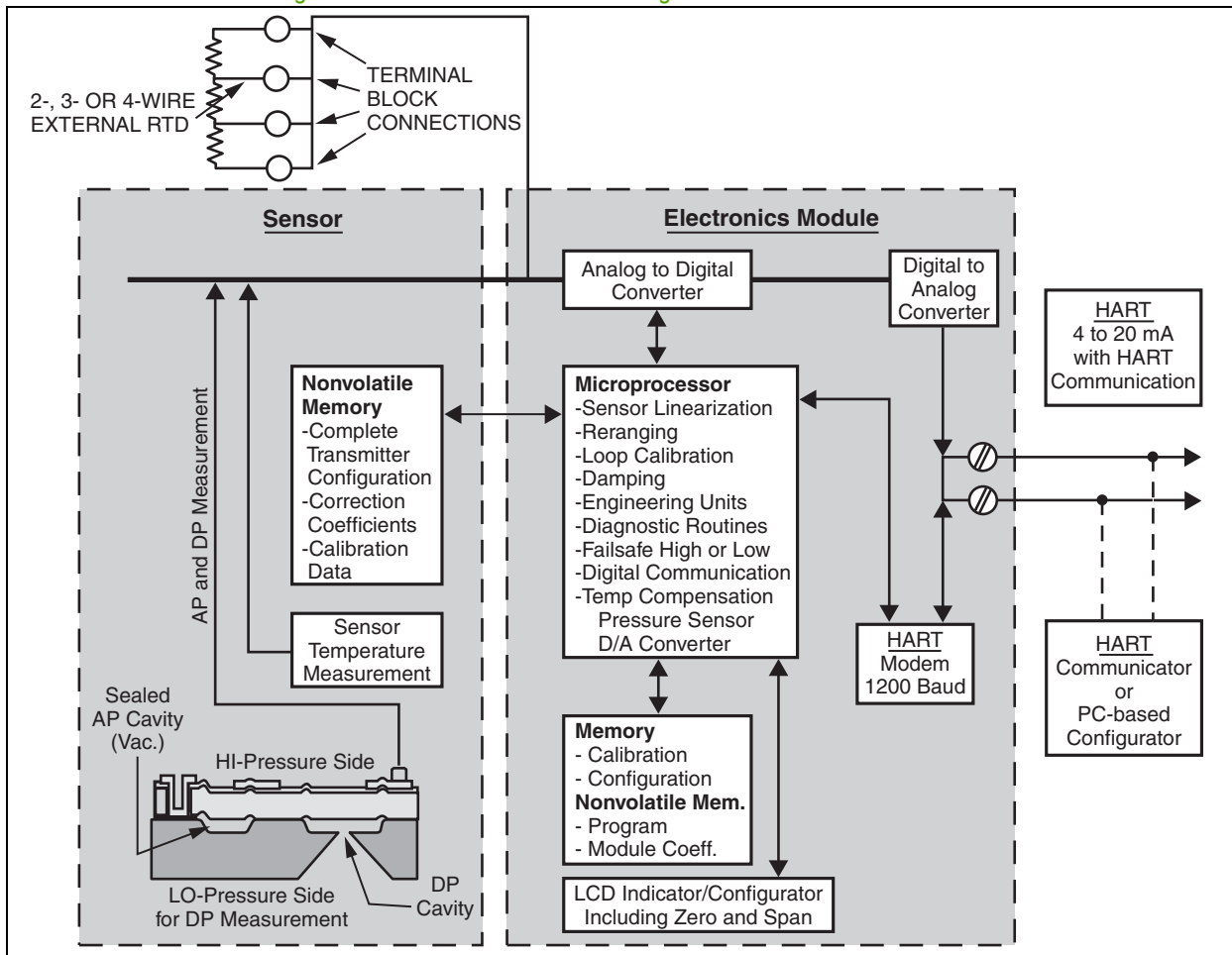


Figure 16. IMV31 Functional Block Diagram for HART Communication



OPERATING, STORAGE, AND TRANSPORTATION CONDITIONS

Influence	Reference Conditions	Normal Operating Conditions (a) (b)	Operative Limits (a) (b)	Transportation/Storage Limits
Sensor Body Temperature ▶ w/Silicone Fill Fluid	24 ±2°C (75 ±3°F)	-29 to + 82°C (-20 to +180°F)	-46 and +121°C (c) (-50 and +250°F) (c)	-54 and +85°C (-65 and +185°F)
▶ w/Inert Fill Fluid	24 ±2°C (75 ±3°F)	-29 to + 82°C (-20 to +180°F)	-29 and +121°C (-20 and +250°F)	-50 and +85°C (-58 and +185°F)
Electronics Temperature	24 ±2°C (75 ±3°F)	-29 to + 82 °C (-20 to +180 °F)	-40 and +85°C (e) (-40 and +185°F) (e)	-54 and +85°C (-65 and +185°F)
▶ with LCD Indicator (d)	24 ±2°C (75 ±3°F)	-20 to + 82 °C (-4 to +180 °F)	-29 and +85°C (e) (-20 and +185°F) (e)	-54 and +85°C (-65 and +185°F)
Relative Humidity (f)	50 ±10%	0 to 100%	0 and 100%	0 and 100% Noncondensing
Supply Voltage – mA Output	30 ±0.5 V dc	11.5 to 42 V dc	11.5 and 42 V dc	Not Applicable
Output Load – mA Output	650 Ω	0 to 1450 Ω (g)	0 and 1450 Ω (g)	Not Applicable
Vibration	1 m/s ² (0.1 “g”)	6.3 mm (0.25 in) Double Amplitude: from 5 to 15 Hz with Aluminum Housing from 5 to 9 Hz with 316 ss Housing 0 to 30 m/s ² (0 to 3 “g”) from 15 to 500 Hz with Aluminum Housing; 0 to 10 m/s ² (0 to 1 “g”) from 9 to 500 Hz with 316 ss Housing		11 m/s ² (1.1 “g”) from 2.5 to 5 Hz (in Shipping Package)
Mounting Position	Upright or Horizontal (h)		No Limit	Not Applicable

- a. When DIN Construction Options -D2-/D4/-D6/-D8 are used, temperature limits are 0 and 60°C (32 and 140°F).
- b. Normal Operating Conditions and Operative Limits are defined per ANSI/ISA 51.1-1979 (R1993).
- c. Selection of Option -J extends the low temperature operative limit of transmitters with silicone filled sensors down to -50°C (-58°F). Performance is not assured below -29°C. Sensor damage may occur if process is frozen.
- d. Although the LCD will not be damaged at any temperature within the “Transportation/Storage Limits”, updates will be slowed and readability decreased at temperatures outside the “Normal Operating Conditions”.
- e. Refer to the Electrical Safety Specifications section for a restriction in ambient temperature limits with certain electrical certifications.
- f. With topworks cover on and conduit entrances sealed.
- g. See Figure 12 for minimum load required for proper HART communication.
- h. Sensor process wetted diaphragms in a vertical plane.

PERFORMANCE SPECIFICATIONS

Zero-Based Calibrations; Stainless Steel Sensor with Silicone Fluid; Under Reference Operating Conditions unless otherwise specified; URL = Upper Range Limit and Span = Calibrated Span

Accuracy - Differential Pressure (a) (b)

Span Codes	Accuracy in % of Span	
	Spans ≥10% URL	Spans <10% URL
B and C	±0.05	$\pm(0.005)\left(\frac{URL}{Span}\right)^p$
A	±0.10	$\pm(0.010)\left(\frac{URL}{Span}\right)$

- a. Accuracy stated includes the effects of linearity, hysteresis, and repeatability.
- b. Also add ±0.025% to the accuracy to determine the total analog output accuracy if the DP measurement is assigned to the 4 to 20 mA output signal.

Accuracy - Absolute Pressure (a) (b)

Span Codes	Accuracy in % of Span	
	Spans ≥10% URL	Spans <10% URL
D, E, H and F	±0.05	$\pm(0.005)\left(\frac{URL}{Span}\right)$
Span Code	Accuracy in % of Span	
	Spans ≥5% URL	Spans <5% URL
G	±0.05	$\pm(0.0025)\left(\frac{URL}{Span}\right)$

- a. Accuracy stated includes the effects of linearity, hysteresis, and repeatability.
- b. For gauge pressure accuracy, add anticipated variation from user-entered barometric pressure.

Accuracy - Process Temperature

±0.28°C (±0.5°F) within ±140°C (±250°F) of the normal operating point.

Accuracy - Level Measurement

±0.3% of maximum level, based on the following:

- ▶ Density and level calculations are based on published AP and DP accuracies and include ambient temperature effects over a range of ±28°C (±50°F).
- ▶ Liquids and vapors are selected from the list of over 275 fluids in the PCMV Configurator Fluid Properties Database or, if the fluid is not listed, the transmitter has been configured for a known variation of fluid density with pressure and temperature.
- ▶ The source of each applicable fluid temperature is configured to be RTD, sensor temperature, electronics temperature, or a user-entered value, and these temperatures are representative of the fluid temperatures.
- ▶ Optimal sensor span code is selected so that the lowest URL that meets the application is used.

Stability

Long-term drift less than ±0.05% of URL per year over a 5-year period.

Calibration Frequency

The calibration frequency is five years. The five years is derived using the values of allowable error (% span), TPE (% span), performance margin (% span), and stability (% span/month); where:

$$\text{Calibration Frequency} = \frac{\text{Performance Margin}}{\text{Stability}} = \text{Months}$$

Power-up Time

Less than 5 seconds for output to reach first valid measurement.

Vibration Effect

±0.2% of URL per “g” for vibrations in the range of 5 to 500 Hz; with double amplitudes of 6.3 mm (0.25 in) in the range of 5 to 15 Hz, or accelerations of 3 “g” in the range of 15 to 500 Hz, whichever is smaller, for aluminum housings; and with double amplitudes of 6.3 mm (0.25 in) in the range of 5 to 9 Hz, or accelerations of 1 “g” in the range of 9 to 500 Hz, whichever is smaller, for 316 ss housings.

RFI Effect

The output error is less than 0.1% of span for radio frequencies in the range of 27 to 1000 MHz and field intensity of 30 V/m when the transmitter is properly installed with shielded conduit and grounding, and housing covers are in place. (Per IEC Std. 61000-4-3.)

Supply Voltage Effect

Output changes less than 0.005% of span for each 1 V change within the specified supply voltage requirements. See Figure 12.

Ambient Temperature Effect

Total effect for both absolute and differential pressure for a 28°C (50°F) change within Normal Operating Condition Limits is ±(0.03% URL + 0.06% span); except the effect on differential pressure for DP Span Code A is ±(0.18% URL + 0.025% span). Also for AP Span Code H, the effect is ±(0.02% URL + 0.06% span).

Position Effect

Transmitter may be mounted in any position. Any zero effect caused by mounting position can be eliminated by rezeroing. There is no span effect.

Switching and Indirect Lightning Transients

The transmitter can withstand a transient surge up to 2000 V common mode or 1000 V normal mode without permanent damage. Output shift is <1.0%. (Per ANSI/IEEE C62.41-1980 and IEC Std. 61000-4-5.)

Electromagnetic Compatibility

- ▶ Complies with NAMUR NE 21 Interference Immunity Requirement (EMC)
- ▶ Complies with electromagnetic compatibility requirements of European EMC Directive 89/336/EEC by conforming to following CENELEC and IEC Standards: EN 50081-2, EN 50082-2, IEC 61000-4-2 through 61000-4-6.

Static Pressure Effect on Differential Pressure

The zero and span shift for a 0.7 MPa, 100 psi, change in static pressure is:

ZERO SHIFT

Span Limit Code		Zero Shift for a 0.7 MPa (100 psi) Change:
DP	AP	in % of URL
A	G	±0.050
B	D	±0.007
B	E	±0.010
B	H	±0.010
C	D	±0.002
C	E	±0.004
C	H	±0.004

SPAN SHIFT

±0.01% of Reading

PHYSICAL SPECIFICATIONS

Process Cover and Connector Material (Process Wetted)

316 ss or nickel alloy (equivalent to Hastelloy® C⁽³⁾), as specified.

Process Cover and Process Connection Gaskets

Glass filled ptfe (Chemloy)

Process Cover Bolts and Nuts

ASTM A193, Grade B7 high strength alloy steel for bolts, and ASTM A194 Grade 2H high strength alloy steel for nuts are standard. Options include NACE Class II - B7M bolting, 17-4 ss bolting, and 316 ss bolting. NACE Class II is recommended when bolting is directly exposed to sour environments, or is buried, insulated, or otherwise denied atmospheric exposures.

Sensor Material (Process Wetted)

316L ss or nickel alloy (equivalent to Hastelloy® C), as specified

Sensor Fill Fluids

Silicone Oil or Inert (FC-43)

Environmental Protection

Transmitter is dusttight and weather proof per IEC IP66 and provides the environmental and corrosion resistant protection of NEMA Type 4X.

Electronics Module

Printed wiring assemblies are conformally coated for moisture and dust protection.

Electronics Housing and Housing Covers

Housing has two compartments to separate the electronics from the field connections. The housing and covers are made from low copper, die-cast aluminum alloy with an epoxy finish, or from 316 ss. Buna-N O-ring seals are used to seal the threaded housing covers, housing neck, and terminal block.

Electrical Connections

Field and RTD sensor wires enter through 1/2 NPT, PG 13.5, or M20 threaded entrances, as specified, on either side of the electronics housing. Wires terminate under screw terminals and washers on terminal block in the field terminal compartment. Refer to Figure 17.

Mounting Position

The transmitter may be mounted in any orientation.

Approximate Mass

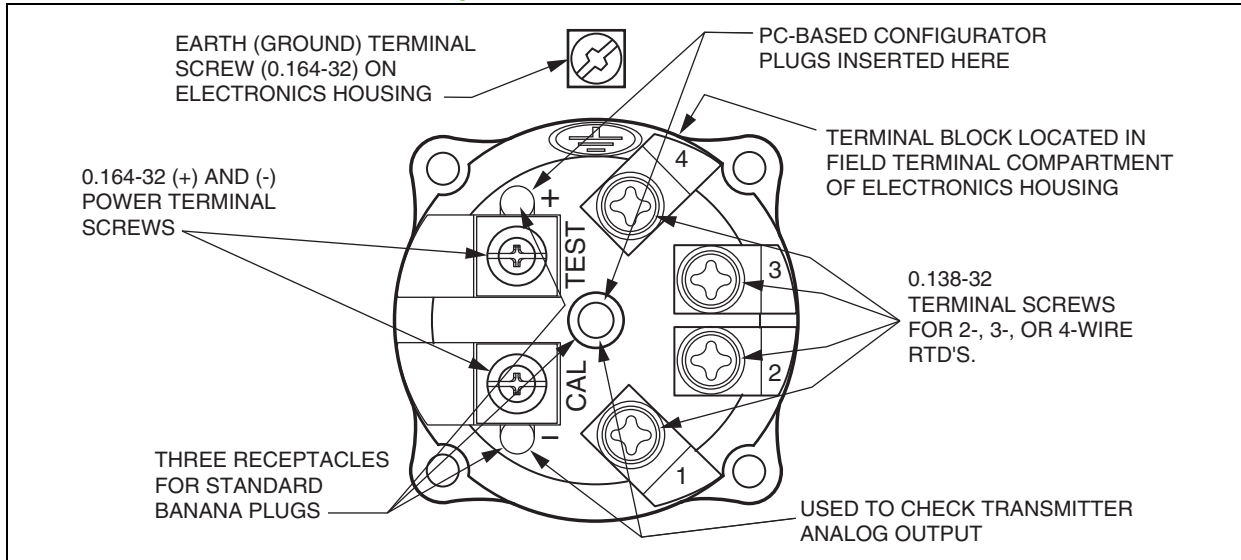
3.5 kg (7.8 lb) – without Process Connectors
 4.2 kg (9.2 lb) – with Process Connectors
 Add 1.1 kg (2.4 lb) – with 316 ss Housing
 Add 0.2 kg (0.4 lb) – with LCD Indicator Option

Dimensions

See “Dimensions – Nominal” section and Dimensional Print DP 020-432.

3. Hastelloy is a registered trademark of Haynes International, Inc.

Figure 17. Field Terminal Connections



ELECTRICAL SAFETY SPECIFICATIONS

Transmitter has been designed to meet the electrical safety descriptions listed. Contact Global Customer Support for information or status of testing laboratory approvals or certifications.

Refer to applicable Instruction Manual for application conditions and connectivity requirements.

Testing Laboratory, Types of Protection, and Area Classification	Application Conditions	Electrical Safety Design Code
ATEX flameproof; II 2 GD, EEx d IIC, Zone 1.	Temperature Class T6, T85°C; Ta = -40 to +80°C	D
ATEX intrinsically safe; II 1 GD, EEx ia IIC, Zone 0; or II 1/2 GD, EEx ib IIC, Zone 0/1.	Temperature Class T4 at 80°C, T5 at 40°C, and T6 at 40°C maximum ambient.	E
ATEX protection n; II 3 GD, EEx nL IIC, Zone 2.	Temperature Class T4 at 80°C, T5 at 70°C, and T6 at 40°C maximum ambient.	N
ATEX multiple certifications, ia & ib, d, and n. Refer to Codes D, E and N for details.	Applies to Codes D, E, and N.	M (a)
CSA intrinsically safe for Class I, Division 1, Groups A, B, C, and D; Class II, Division 1, Groups E, F, and G; Class III, Division 1.	Temperature Class T4A at 40°C and T3C at 85°C maximum ambient.	C
CSA Zone certified intrinsically safe Ex ia IIC and energy limited Ex nA II.	Temperature Class T4 at 40°C, and T3 at 85°C maximum ambient.	C
CSA explosionproof for Class I, Division 1, Groups B, C, and D; and dust-ignitionproof apparatus for Class II, Division 1, Groups E, F, and G; and Class III, Division 1.	Maximum Ambient Temperature 85°C.	C
CSA suitable for Class I, Division 2, Groups A, B, C, and D; Class II, Division 2, Groups F and G; and Class III, Division 2.	Temperature Class T4A at 40°C and T3C at 85°C maximum ambient.	C
CSA field device zone certified flameproof Ex d IIC. Also, all certifications of Code C above.	Maximum Ambient Temperature 85°C.	B
FM intrinsically safe for Class I, Division 1, Groups A, B, C, and D; Class II, Division 1, Groups E, F, and G; and Class III, Division 1.	Temperature Class T4A at 85°C maximum ambient.	F
FM Zone approved intrinsically safe AEx ia IIC.	Temperature Class T4 at 85°C maximum ambient.	F
FM explosionproof for Class I, Division 1, Groups B, C, and D; and dust-ignitionproof apparatus for Class II, Division 1, Groups E, F, and G; and Class III, Division 1.	Temperature Class T6 at 80°C and T5 at 85°C maximum ambient.	F
FM nonincendive apparatus for Class I, Division 2, Groups A, B, C, and D; Class II, Division 2, Groups F and G; and Class III, Division 2.	Temperature Class T4A at 85°C maximum ambient.	F
FM field device zone certified flameproof AEx d IIC. Also, all certifications of Code F above.	Temperature Class T6 at 80°C and T5 at 85°C maximum ambient.	G
IECEX flameproof: Ex d IIC	T6 Ta=80°C, T5 Ta=85°C Ambient Temperature -20 to +85°C	V

- a. When selecting ATEX Safety Design Code M, the user must permanently mark (check off in rectangle block on data plate) one type of protection only (ia and ib, d, or n). Do not change this mark.

MODEL CODE

Description	Model
Multivariable Transmitter	IMV31
Electronics Versions and Output Signal	
Intelligent; Digital HART and 4 to 20 mA dc (Version -T)	-T
Structure Code - Process Covers, Sensor Material, and Sensor Fill Fluid	
With Traditional Structure	
Covers	
Sensor	
Fill Fluid	
316 ss	22
316 ss	23
316 ss	26
316 ss	27
Nickel alloy (a)	46
Nickel alloy (a)	47
Span Limits - Differential Pressure (DP) Measurement	
kPa	
inH₂O	
mbar	
Available with: (b)	
0.75 and 7.5	A
0.5 and 50	B
2.5 and 210	C
Span Limits - Absolute Pressure (AP) Measurement (Absolute Measured; Gauge Calculated)	
MPaa	
psia	
bara or kg/cm² abs	
Available with: (b)	
0.02 and 2.1	D
0.07 and 3.5	G
0.21 and 10 (c)	E
0.42 and 20 (c)	H
Process Connector Type (Material Same as Process Cover Material)	
None, Covers tapped for 1/4 NPT	0
1/4 NPT (Not with Structure Codes 46 and 47 - Nickel alloy (a) Process Covers)	1
1/2 NPT	2
Rc 1/4 (Not with Structure Codes 46 and 47) - Nickel alloy (a) Process Covers	3
Rc 1/2	4
1/2 Schedule 80 Welding Neck (Not with Structure Codes 46 and 47 - Nickel alloy (a) Process Covers)	6
Conduit Connection and Housing Material	
1/2 NPT Connection, Aluminum Housing	1
PG 13.5 Connection, Aluminum Housing (Available with Electrical Safety Codes E, D, M, and N only)	2
1/2 NPT Connection, 316 ss Housing	3
PG 13.5 Connection, 316 ss Housing (Available with Electrical Safety Codes E, D, M, and N only)	4
M20 Connection, Aluminum Housing (Available with Electrical Safety Codes E, D, M, and N only)	5
M20 Connection, 316 ss Housing (Available with Electrical Safety Codes E, D, M, and N only)	6

MODEL CODE

MODEL CODE

Description	Model																																																								
Electrical Safety (Also see Electrical Safety Specifications section)																																																									
ATEX II 1 GD, EEx ia IIC, Zone 0; or II 1/2 GD, EEx ib IIC, Zone 0/Zone 1	E																																																								
ATEX II 2 GD, EEx d IIC, Zone 1 (d)	D																																																								
ATEX II 3 GD, EEx nL IIC, Zone 2	N																																																								
ATEX Multiple Certifications; with Electronics Version -T only (includes ATEX Codes E, D, and N) (d) (See Electrical Safety Specifications section for <u>user marking</u>)	M																																																								
CSA Certified Division 1 intrinsically safe, explosionproof, dust-ignitionproof, and Division 2, Classes I, II, and III. Also zone certified Ex ia IIC and Ex nA IIC.	C																																																								
CSA Zone Certified Ex d IIC; and all certifications of Code C above (d).	B																																																								
FM approved Division 1 intrinsically safe, explosionproof, dust-ignitionproof, and nonincendive, Division 2, Classes I, II, and III. Also zone approved intrinsically safe AEx ia IIC.	F																																																								
FM approved AEx d IIC; and also all approvals of Code F above (d).	G																																																								
IECEX flameproof; Ex d IIC	V																																																								
Optional Selections (e)																																																									
Refer to descriptions that follow.																																																									
Mounting Bracket Set																																																									
Painted Steel Bracket with Plated Steel Bolts	-M1																																																								
Stainless Steel Bracket with Stainless Steel Bolts	-M2																																																								
Digital Indicator with Pushbuttons																																																									
Digital Indicator, Pushbuttons, and Window Cover	-L1																																																								
DIN 19213 Construction used with Process Connector Code "0" and 316 ss Process Covers Only (f)																																																									
<table border="0"> <thead> <tr> <th>Process Cover</th> <th>Cover Screw</th> <th>Connector Screw</th> <th></th> </tr> <tr> <th>Type</th> <th>Material</th> <th>Size</th> <th>Material</th> </tr> </thead> <tbody> <tr> <td>Single Ended</td> <td>Steel</td> <td>M10 (by User)</td> <td>–</td> </tr> <tr> <td>Double Ended (g)</td> <td>Steel</td> <td>M10</td> <td>Steel</td> </tr> <tr> <td colspan="4">(Blind Kidney Flange on back)</td> </tr> <tr> <td>Single Ended</td> <td>Steel</td> <td>7/16 (by User)</td> <td>–</td> </tr> <tr> <td>Double Ended (g)</td> <td>Steel</td> <td>7/16</td> <td>Steel</td> </tr> <tr> <td colspan="4">(Blind Kidney Flange on back)</td> </tr> <tr> <td>Single Ended</td> <td>316 ss</td> <td>7/16 (by User)</td> <td>–</td> </tr> <tr> <td>Double Ended (g)</td> <td>316 ss</td> <td>7/16</td> <td>316 ss</td> </tr> <tr> <td colspan="4">(Blind Kidney Flange on back)</td> </tr> <tr> <td>Single Ended</td> <td>17-4 ss</td> <td>7/16 (by User)</td> <td>–</td> </tr> <tr> <td>Double Ended (g)</td> <td>17-4 ss</td> <td>7/16</td> <td>17-4 ss</td> </tr> <tr> <td colspan="4">(Blind Kidney Flange on back)</td> </tr> </tbody> </table>	Process Cover	Cover Screw	Connector Screw		Type	Material	Size	Material	Single Ended	Steel	M10 (by User)	–	Double Ended (g)	Steel	M10	Steel	(Blind Kidney Flange on back)				Single Ended	Steel	7/16 (by User)	–	Double Ended (g)	Steel	7/16	Steel	(Blind Kidney Flange on back)				Single Ended	316 ss	7/16 (by User)	–	Double Ended (g)	316 ss	7/16	316 ss	(Blind Kidney Flange on back)				Single Ended	17-4 ss	7/16 (by User)	–	Double Ended (g)	17-4 ss	7/16	17-4 ss	(Blind Kidney Flange on back)				
Process Cover	Cover Screw	Connector Screw																																																							
Type	Material	Size	Material																																																						
Single Ended	Steel	M10 (by User)	–																																																						
Double Ended (g)	Steel	M10	Steel																																																						
(Blind Kidney Flange on back)																																																									
Single Ended	Steel	7/16 (by User)	–																																																						
Double Ended (g)	Steel	7/16	Steel																																																						
(Blind Kidney Flange on back)																																																									
Single Ended	316 ss	7/16 (by User)	–																																																						
Double Ended (g)	316 ss	7/16	316 ss																																																						
(Blind Kidney Flange on back)																																																									
Single Ended	17-4 ss	7/16 (by User)	–																																																						
Double Ended (g)	17-4 ss	7/16	17-4 ss																																																						
(Blind Kidney Flange on back)																																																									
Single Ended	-D1																																																								
Double Ended (g)	-D2																																																								
(Blind Kidney Flange on back)																																																									
Single Ended	-D3																																																								
Double Ended (g)	-D4																																																								
(Blind Kidney Flange on back)																																																									
Single Ended	-D5																																																								
Double Ended (g)	-D6																																																								
(Blind Kidney Flange on back)																																																									
Single Ended	-D7																																																								
Double Ended (g)	-D8																																																								
(Blind Kidney Flange on back)																																																									
Cleaning and Preparation																																																									
Unit Degreased - for Silicone Filled Sensors Only	-X1																																																								
(Not for Oxygen/Chlorine/Other Fluids that may react with Silicone)																																																									
Cleaned and Prepared for Oxygen Service - for Inert Filled Sensors Only	-X2																																																								
Cleaned and Prepared for Chlorine Service - for Inert Filled Sensors Only (h)	-X3																																																								
Bolting for Process Covers/Connectors (i)																																																									
316 ss Bolts and Nuts	-B1																																																								
17-4 ss Bolts and Nuts (h)	-B2																																																								
B7M Bolts and Nuts (j)	-B3																																																								

MODEL CODE

Description	Model
Conduit Connectors	
Hawke-Type 1/2 PT Cable Gland for use with Conduit Connection Codes 1 and 3 (k)	-A1
M20 Conduit Thread Adapter for use with Conduit Connection Codes 1 and 3 (k)	-A3
Electronics Housing Features	
Custody Transfer Lock and Seal	-Z2
Custom Factory Configuration	
Full Factory Configuration (Requires completion of Multivariable Configuration Wizard before entering the order.) (l)	-C2
Tubing Connectors (m)	
316 ss, Connecting 6 mm Tubing to 1/4 NPT Process Connector	-E3
316 ss, Connecting 12 mm Tubing to 1/2 NPT Process Connector	-E4
Instruction Books (Common MI, Brochure, and Full Documentation Set on CD-ROM is Standard)	
Without Instruction Book and CD; Only "Getting Started" brochure is supplied	-K1
Full Instruction Book in Paper; Only Traditional Paper Instruction Book with all MIs, PLs, DPs, etc. provided	-K4
Miscellaneous Optional Selections	
Low Temperature Operative Limit of Electronics Housing Extended down to -50°C (-58°F) (n) (o)	-J
Supplemental Customer Tag (Stainless Steel Tag wired onto Transmitter)	-T
Vent Screw in Side of Each Process Cover (Not Available with DIN 19213 Construction)	-V

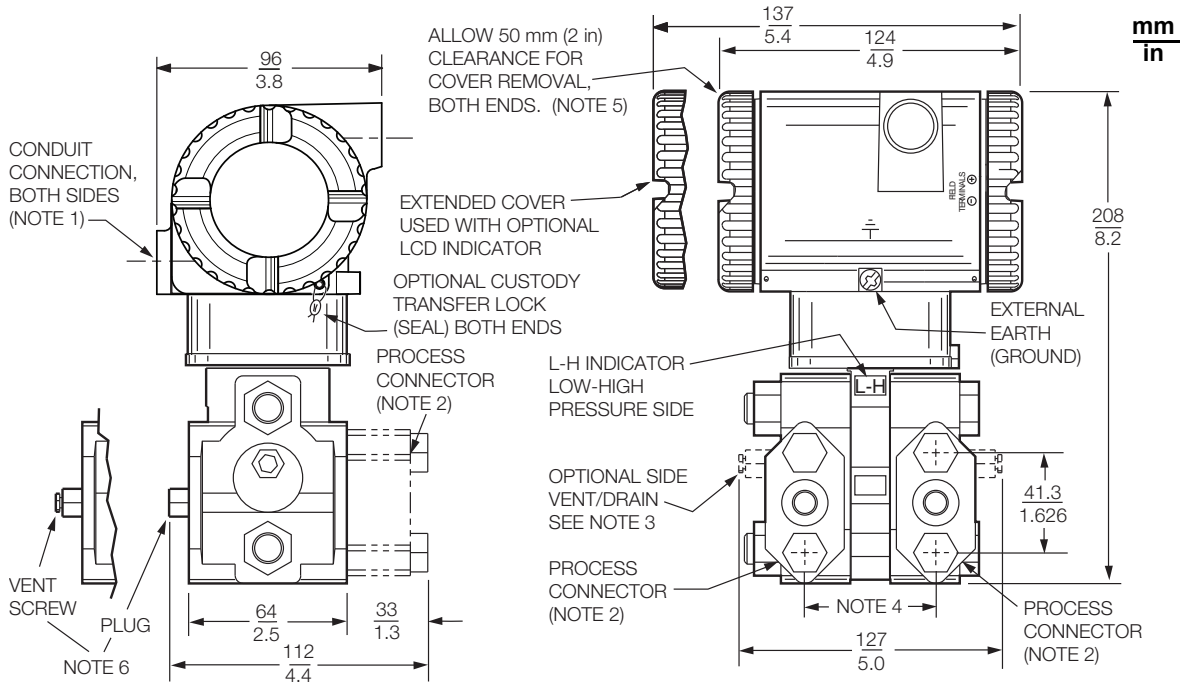
- a. Equivalent to Hastelloy® C.
- b. Refer to Functional Specifications section for allowable combinations of DP and AP Span Limit Codes.
- c. For non boiler applications, pressure is not to exceed 6.9 MPaa (1000 psia) (69 bara).
- d. A cover lock is provided as standard construction with Electrical Safety Codes D, B, G, and M.
- e. Refer to PSS 2A-1Z9 E for additional optional features and accessories not listed in Model Code.
- f. Mounting Bracket Set options (-M1 and -M2) and Vent Screw Option -V are not available.
- g. Temperature limits derated to 0 and 60°C (32 and 140°F) for DIN Options -D2, -D4, -D6, and -D8.
- h. When -X3 is specified, the standard bolting is replaced with 17-4 ss bolts and nuts. Therefore, there is no need to specify Option -B2 when selecting the Chlorine Service Option -X3.
- i. Not available with DIN 19213 Construction options. For stainless steel bolting with DIN 19213, specify -D5, -D6, -D7, or -D8.
- j. Selection of Option -B3 normally requires selection of AS Reference MR-01.
- k. Not available with PG13.5 or M20 Housing Connections. Also not available with Electrical Safety Codes C and F.
- l. Option -C2 is recommended if the application information is known. If Option -C2 is not selected, a standard default configuration will be provided. The user will then need the Model PCMV to completely configure the transmitter for liquid level applications.
- m. Tubing connectors not available with Process Connector Codes 3, 4, and 6 (Rc and Weld Neck types).
- n. Option -J not available with Structure Codes 23, 27, and 47, or DIN Construction Codes -D2, -D4, -D6, or -D8.
- o. -50°C indicates sensor and electronics ambient temperature capabilities. Performance is not assured below -29°C. Sensor damage may occur if process is frozen.

SUGGESTED RFQ SPECIFICATIONS

The manufacturer shall provide field-mounted multivariable transmitter(s) for density-compensated level measurement featuring remote digital communications capability for measuring tank pressure, differential pressure, and fluid temperature, and transmitting a 4 to 20 mA dc and/or digital output signal (software selectable) for use in a standard two-wire dc supply voltage system. The transmitted signals shall be used with a PC-based configurator for transmission of calculated density-compensated liquid level measurements. The specifications for this Multivariable transmitter are as follows:

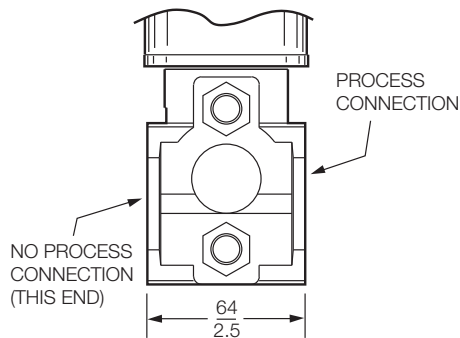
Communication Protocol:	HART, digital and/or 4 to 20 mA dc output signal
Remote Communications:	Must not interfere with output
Accuracy (AP and DP):	Digital Output: $\pm 0.05\%$ of calibrated span
Damping:	Settable for a range of none to 32 seconds
RFI Protection:	0.1% error between 27 and 1000 MHz at 30 V/m field intensity
Span Limits:	Absolute Pressure Measurement 3 and 300, 10 and 500, 30 and 1500, and 60 and 3000 psia, or SI/Metric Equivalents (Not to exceed 1000 psia for non boiler applications) Differential Pressure Measurement 3 and 30, 2 and 200, and 10 and 840 inH ₂ O, or SI/Metric Equivalents
Process Temperature:	Transmitter includes terminals to receive either a 2-, 3-, or 4-wire, 100 ohm, platinum DIN/IEC RTD to measure temperature. Range Limits are -200 and +850°C (-328 and 1562°F).
Mounting:	On process piping or optional mounting bracket
Input Connection:	With process connectors to accept 1/4 NPT, 1/2 NPT, Rc 1/4 or Rc 1/2, 1/2 Schedule 80 welding neck
Housing:	Aluminum housing with epoxy finish, or 316 ss housing; with 1/2 NPT, PG 13.5, or M20 conduit connections.
Electronics:	Easily replaceable modular electronics in a NEMA 4X (IEC IP66) housing sealed with O-rings for protection against moisture or other contaminants. Optional integral LCD Indicator with on-board configuration pushbuttons.
Process Cover Materials Available:	316 ss or nickel alloy (equivalent to Hastelloy® C)
Sensor Materials Available:	316L ss or nickel alloy (equivalent to Hastelloy® C)
Approvals and Certifications:	Must be suitable for Division 1 hazardous locations, and conform to all applicable European Union Directives. Versions available to meet agency flameproof and zone requirements.
Approximate Mass:	3.5 kg (7.8 lb), without process connectors; 4.2 kg (9.2 lb), with process connectors; With 316 ss housing, add 1.1 kg (2.4 lb); With optional LCD indicator, add 0.2 kg (0.4 lb).
Model Code:	I/A Series Intelligent IMV31 Multivariable Transmitter for density-compensated level measurement with HART Communication Protocol, or equivalent

DIMENSIONS-NOMINAL

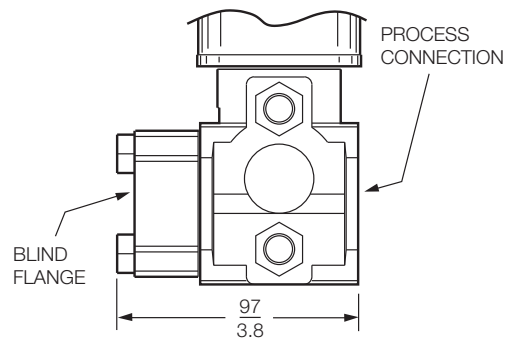


NOTES:

1. CONDUIT CONNECTION 1/2 NPT, PG 13.5, OR M20, BOTH SIDES: PLUG UNUSED CONNECTION WITH METAL PLUG (SUPPLIED).
2. PROCESS CONNECTORS MAY BE REMOVED AND CONNECTIONS MADE DIRECTLY TO PROCESS COVER USING 1/4 NPT INTERNAL THREAD IN PROCESS COVER.
3. PROCESS COVER CAN BE INVERTED MAKING OPTIONAL SIDE VENTS OR SIDE DRAINS
4. PROCESS CONNECTORS CAN BE INVERTED TO GIVE EITHER 51, 54, OR 57 mm (2.0, 2.125, OR 2.25 in) CENTER-TO-CENTER DISTANCE BETWEEN HIGH AND LOW PRESSURE CONNECTIONS.
5. TOPWORKS CAN BE ROTATED TO ANY POSITION WITHIN ONE TURN COUNTERCLOCKWISE OF THE FULLY TIGHTENED POSITION.
6. PROCESS COVER END PLUGS ARE SUBSTITUTED FOR VENT SCREWS WHEN OPTIONAL SIDE VENTS (NOTE 3) ARE SPECIFIED.



OPTIONAL DIN CONSTRUCTION
SINGLE ENDED PROCESS COVER
OPTIONS -D1, -D3, -D5, AND -D7



OPTIONAL DIN CONSTRUCTION
DOUBLE ENDED PROCESS COVER
OPTIONS -D2, -D4, -D6, AND -D8

NOTE: Refer to Dimensional Print DP 020-432 for further information.

NOTES



ORDERING INSTRUCTIONS

1. Model Number
2. Calibrated Pressure Ranges for Pressure and Differential Pressure
3. Specify whether Boiler or Non Boiler Applications

NOTE

For non boiler applications, pressure is not to exceed 6.9 MPaa (1000 psia)

4. Configuration Data Form when Factory Configuration Option -C2 is specified
5. Optional Features and Accessories not Included in Model Code (See PSS 2A-1Z9 E)
6. User Tag Data

OTHER FOXBORO PRODUCTS

The Foxboro product lines offer a broad range of measurement and instrument products, including solutions for pressure, flow, analytical, temperature, positioning, controlling, and recording. For a list of these offerings, visit our web site at:

www.schneider-electric.com